



Outil d'extraction et de pose de silent bloc sur le bras

Part of a range of vehicle specific tools, for the removal and fitting of bushes and ball joints, without having to remove suspension legs, subframes, wishbones and trailing arms etc from the vehicle. Designed to be used in-situ, although many can also be used in a workshop press if circumstances require.

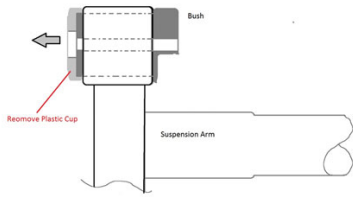


Additional Information

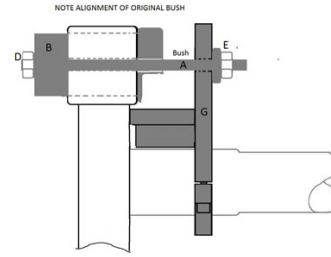
- Permet de remplacer les 2 silent bloc arrière alors que le bras oscillant est toujours sur le véhicule - Gain de temps
- Application: Astra 2004-2014, Meriva à partir de 2010 et Zafira 2005-2012
- Ref du silent bloc constructeur: 13267215
- Fabriqué à Sheffield.
-

<http://lasertools.co.uk/product/6603>

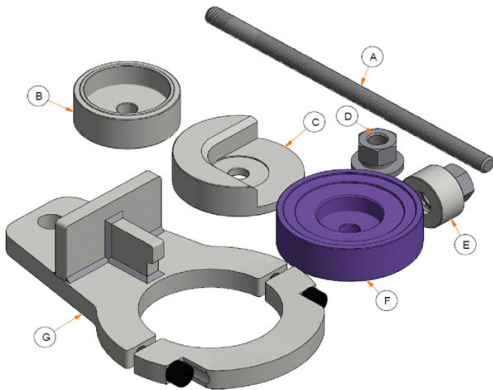
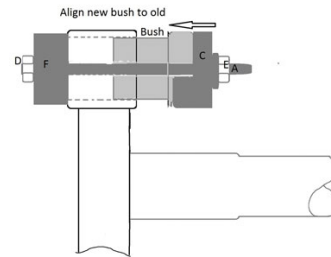




EXTRACTION:



INSERTION:



Bushes

